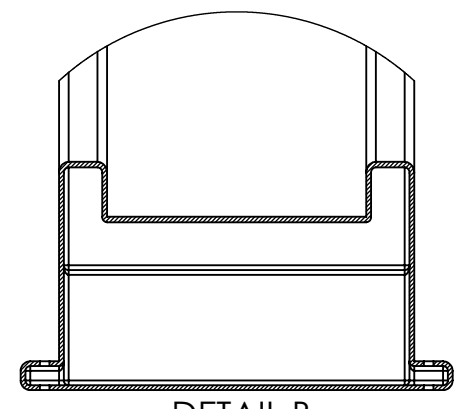


SECTION A-A



DETAIL B
SCALE 1 : 10

NOTES: 1. ROUNDS AND FILLETS: R .25 2. WALL THICKNESS: .25"	UNLESS OTHERWISE SPECIFIED: DIMENSIONS ARE IN INCHES TOLERANCES: $\pm 0.030"$ WALL THICKNESS VARIATION: $\pm 20\%$	TITLE: <h1>SLIDE</h1>	
	MATERIAL: HDPE DRAWN BY: ROXBERRY	SIZE: C SCALE: 1:20	DWG. NO.: 1 SHEET 1 OF 2