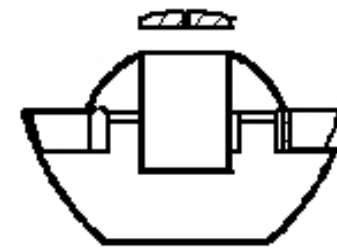
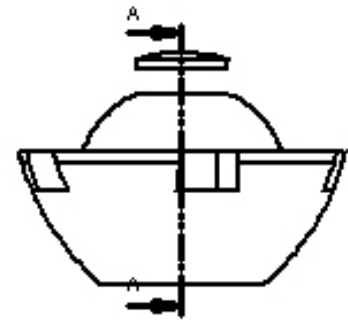
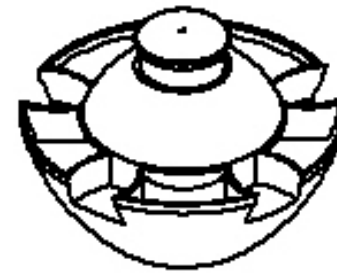
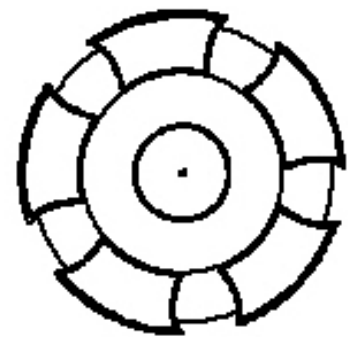


Composting Planter

Rotational Moldin



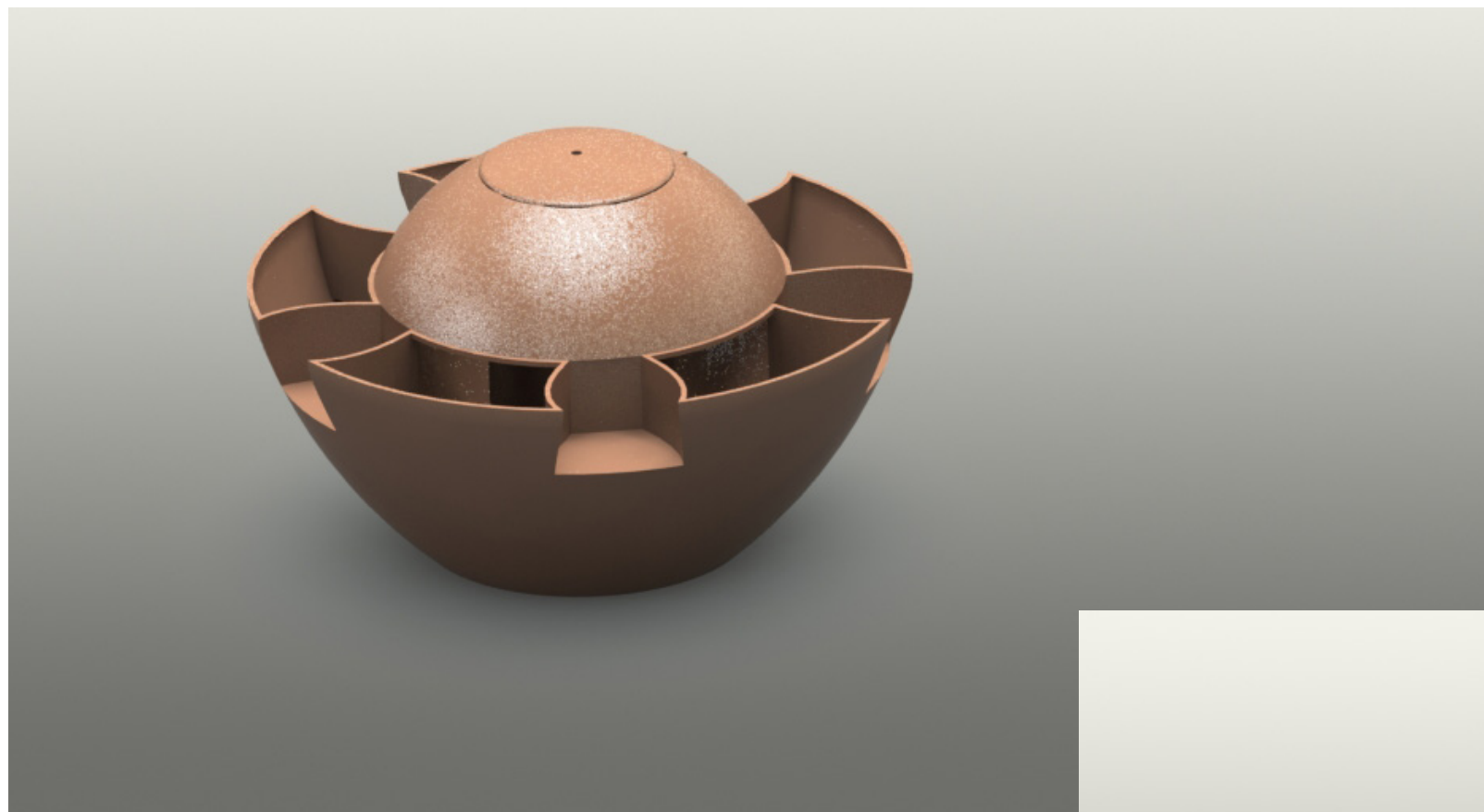
Project

Description

The Composting Planter was designed with rotational molding in mind. The planter will have a layer of dirt, a layer of worms and then another layer of dirt underneath the center cylinder where the compostable waste is stored. The compost can be turned by the crank that is in the center of the planter to aid in decomposition. This planter is ideal for apartment balconies or small yards where people would like to be eco-friendly and compost their scrap food as well as have a small garden.

Final model views

Model



Final Model



Section View



Final Render

