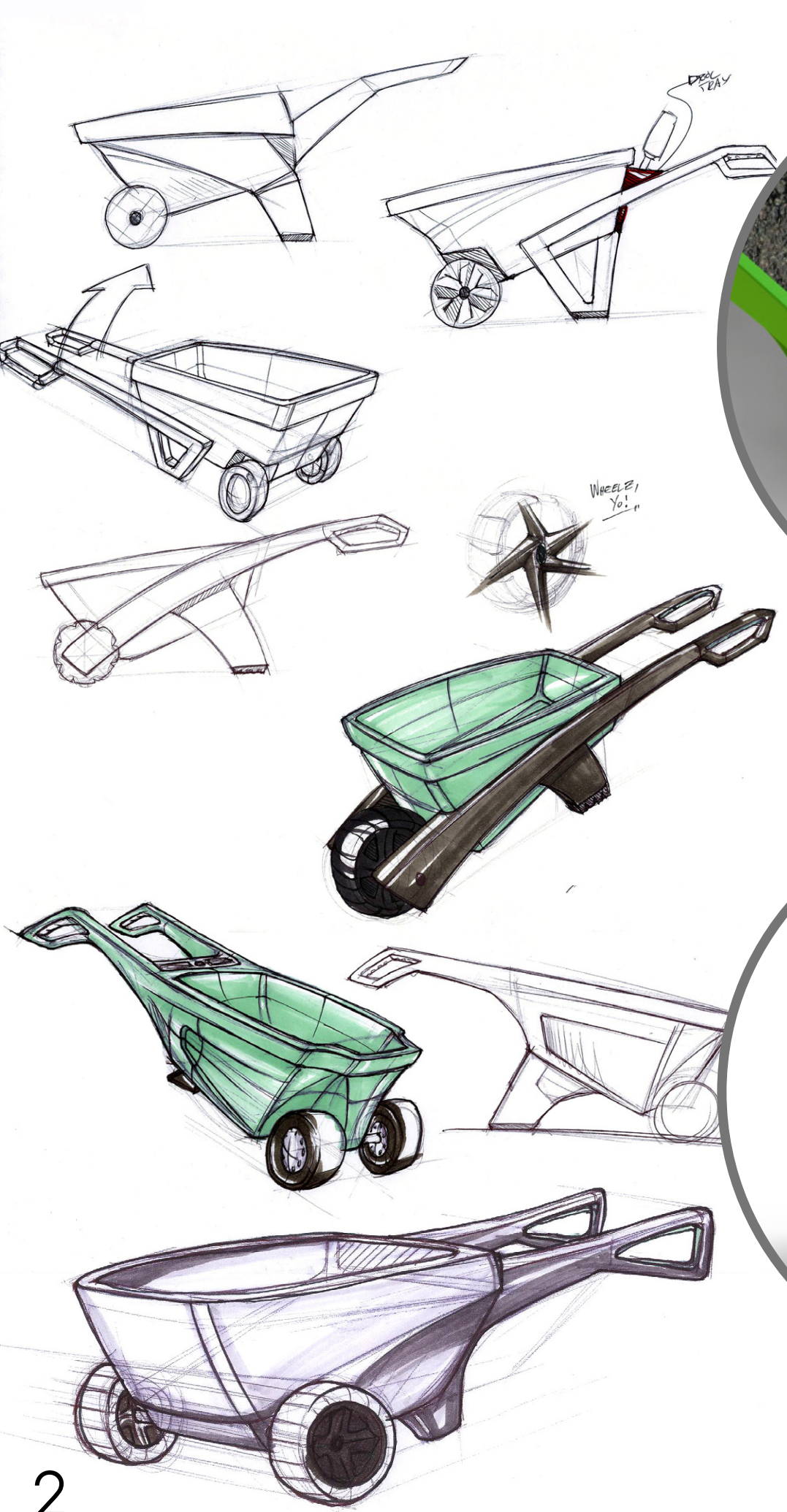


GardenMate

Run of the mill wheelbarrows are heavy, awkward and often require assembly of multiple parts. The Gardenmate solves this problem by utilizing the benefits of rotomolding to provide a non-metal, stable and easy to assemble garden assistant.

The Gardenmate features integrated tool rack that doubles as a catch-all for everything you need to take with you. The longer handles give you better leverage to empty a full load, and you'll never accidentally tip it with the dual front wheels and outward flare legs. Polyethylene provides the durability similar to other outdoor products, like storage boxes, and will never rust or dent like other wheelbarrows.





Built-in tool rack keeps all your gardening tools organized and nearby.



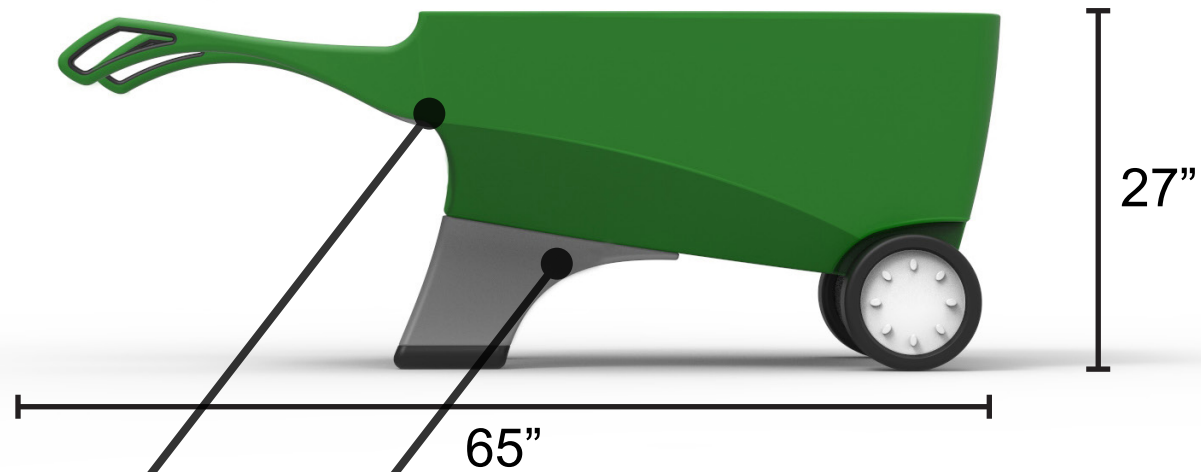
Flared legs and dual wheels provide stability.



GardenMate

Specifications

Volume: 8 cubic feet
Width: 30" widest, 28" between handles



Winsell #13204
Camo Granite

Winsell #14417
Light Gray Granite

Top



Front



Back



Bottom



GardenMate

