



CUBE



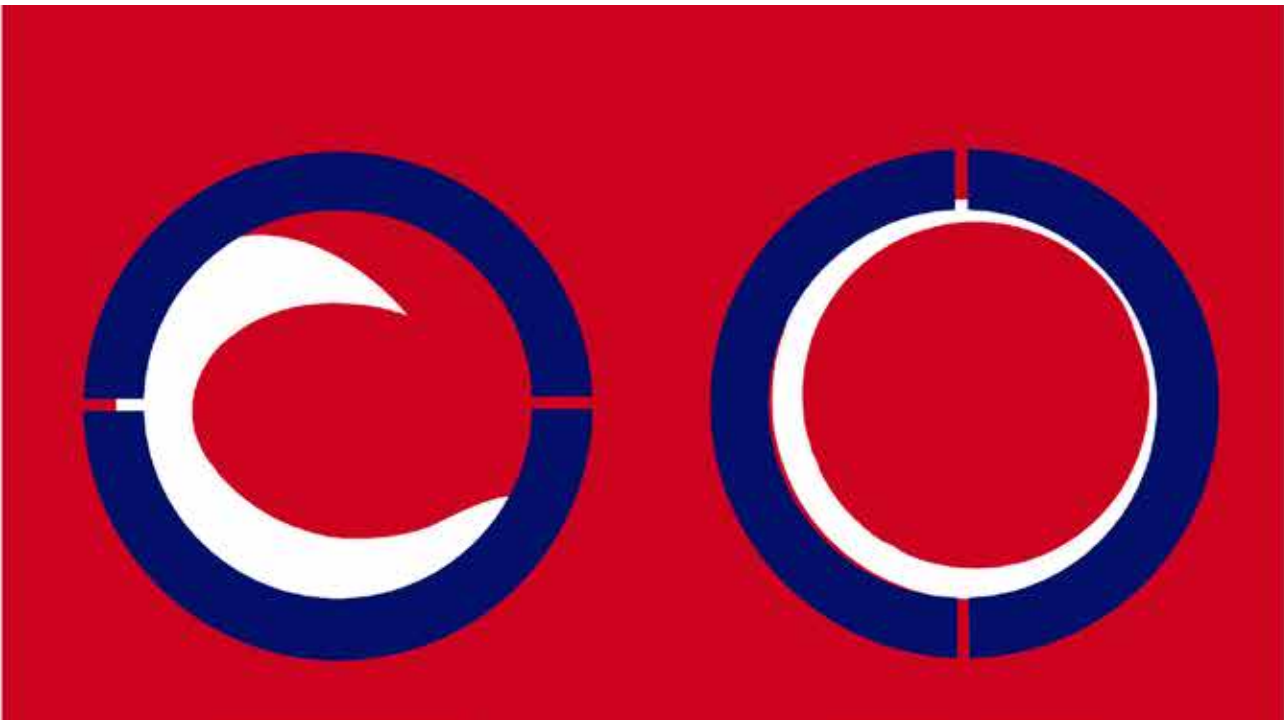
what is **rotational molding**?

the process of **heating a hollow** mold which is then filled with a charge. it is slowly **rotated** around two perpendicular axis causing the softened material to disperse and **stick to the walls** of the mold.

rotational molding **process**



design and fill



heat and spin



cool and open

why **choose** this process?

more complicated forms

strong and durable parts

cost saving

consistent wall thickness

limited material waste

variety of materials

what's on the **market**



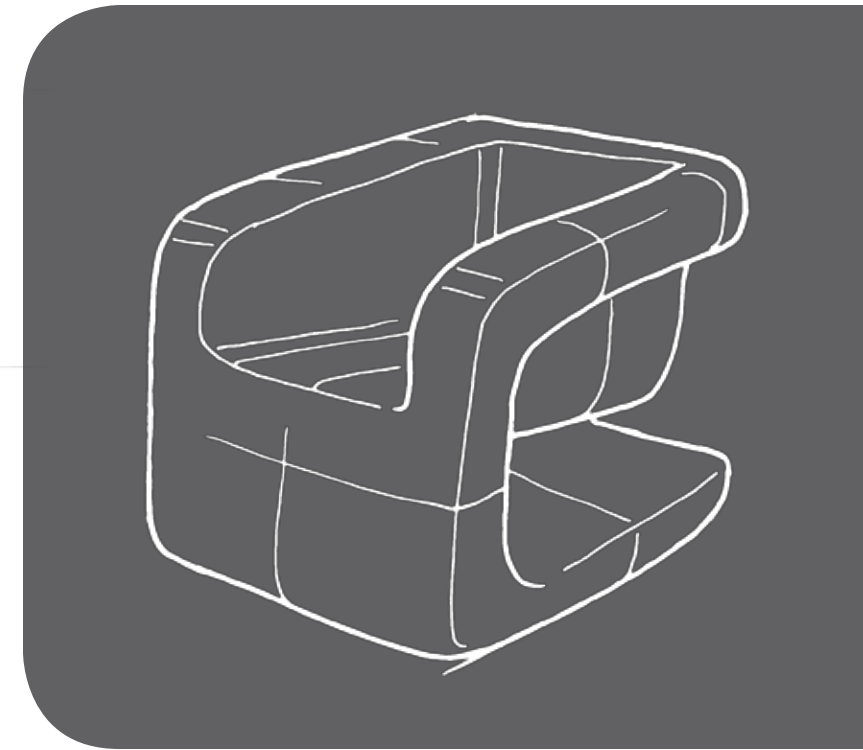
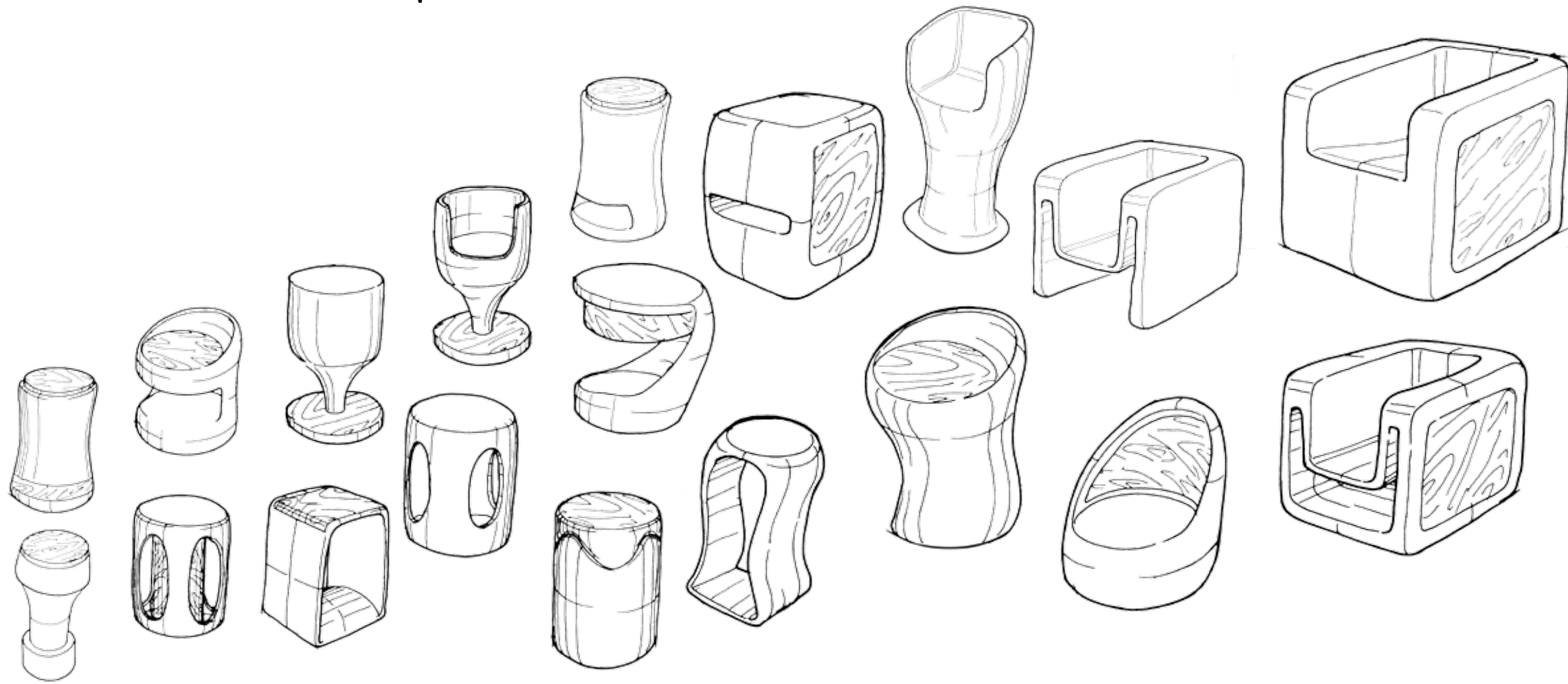


Google

where to sit?

today's design studios and offices are designed to **compliment** the designers and bring out their **innovative** thinking. the interior space is **modern, open, fun and playful**. it is a place to think, take a break, or explore your **creativity**.

chair and stool concepts



concept one



concept two



concept three





semi-final



CUBE



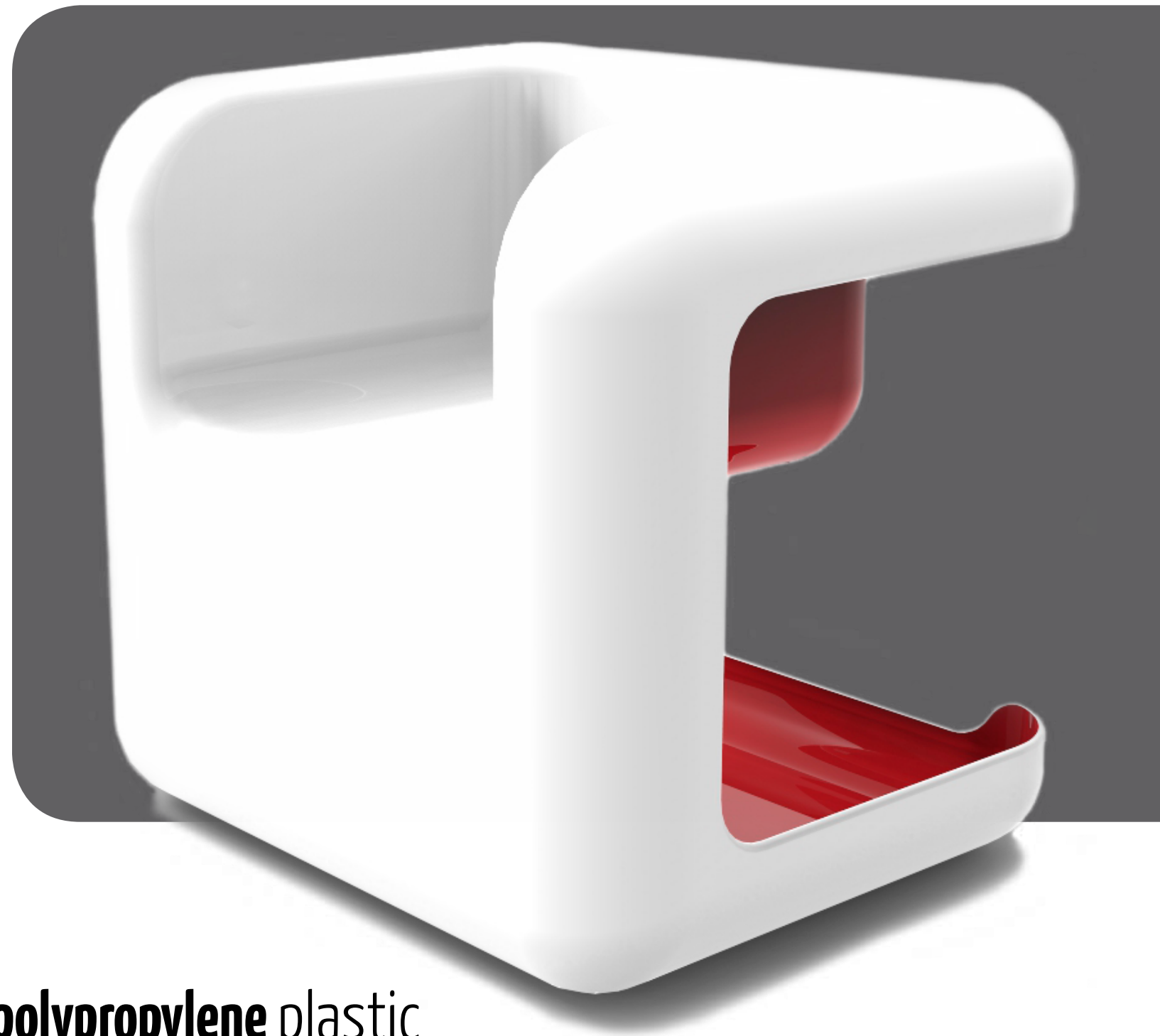
ergonomic seat



hollow back



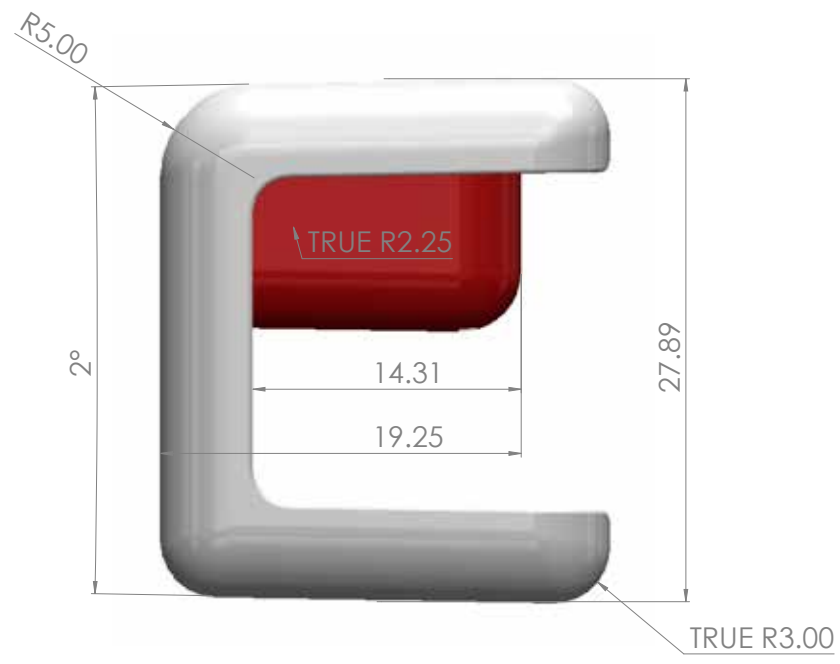
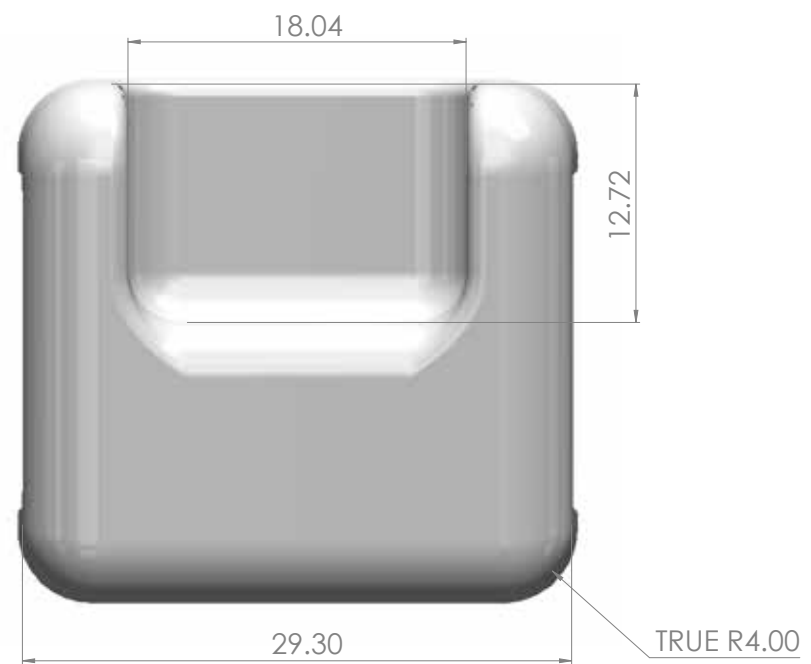
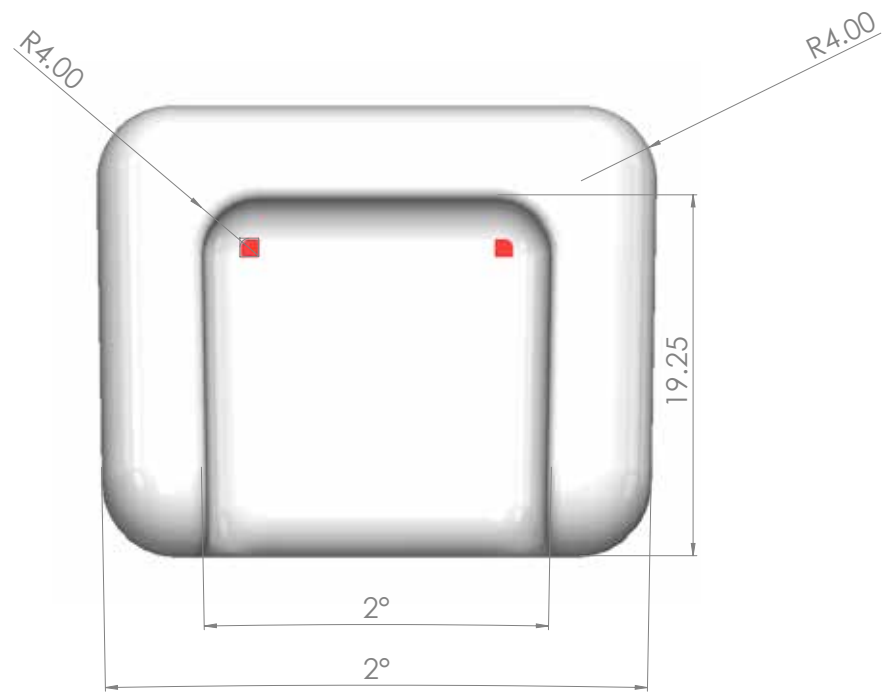
dynamic negative space



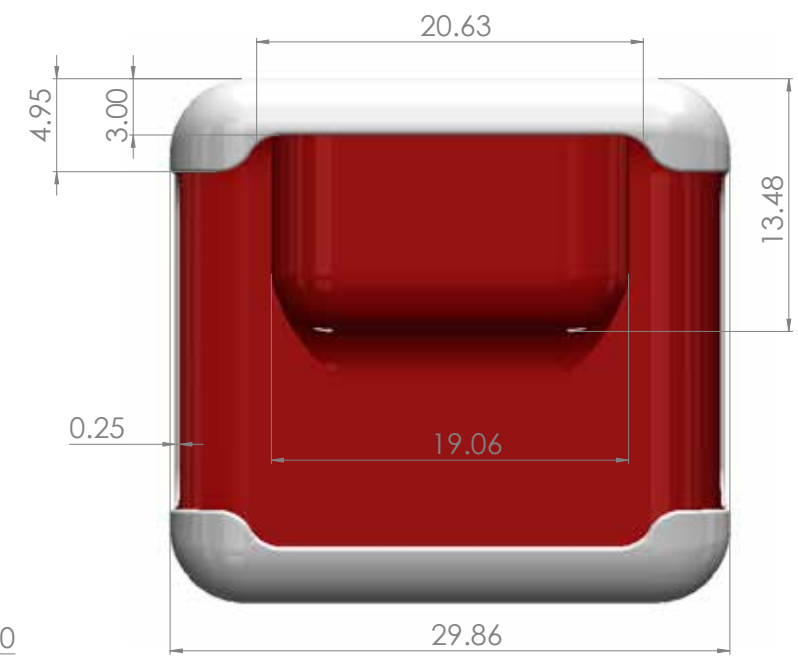
polypropylene plastic



colors



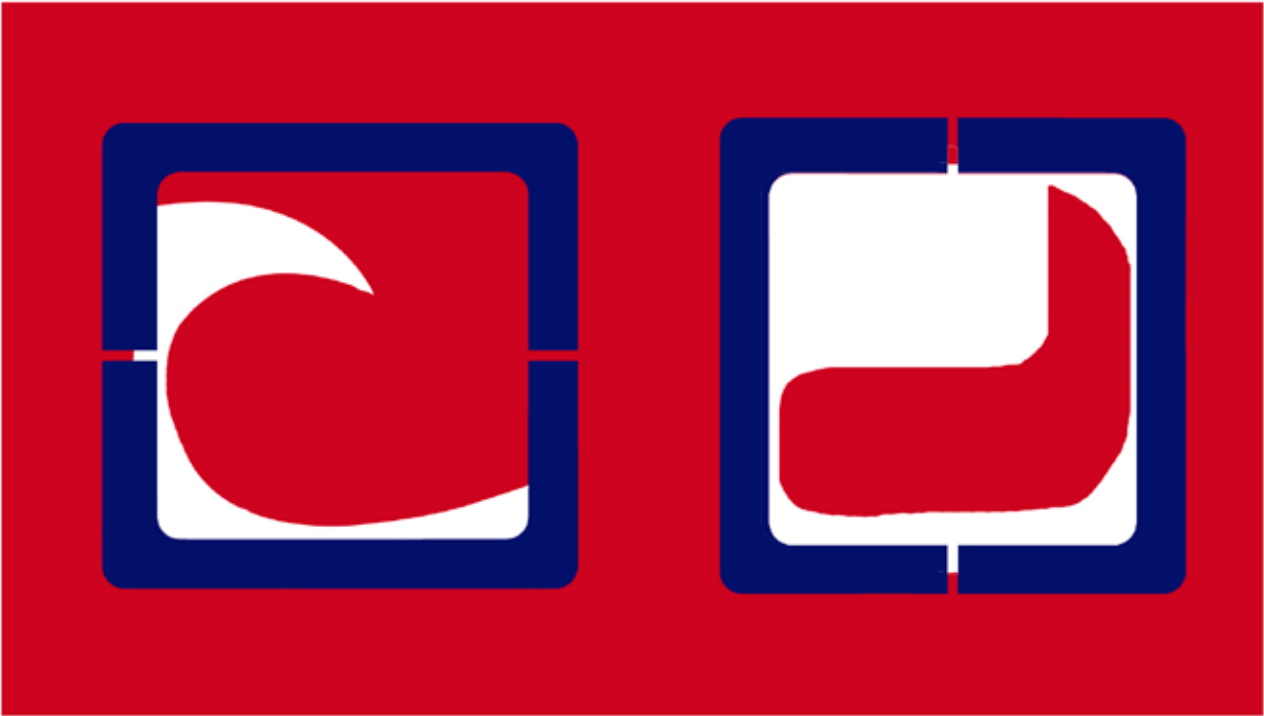
orthographic **dimensions**



rotational **molding** process



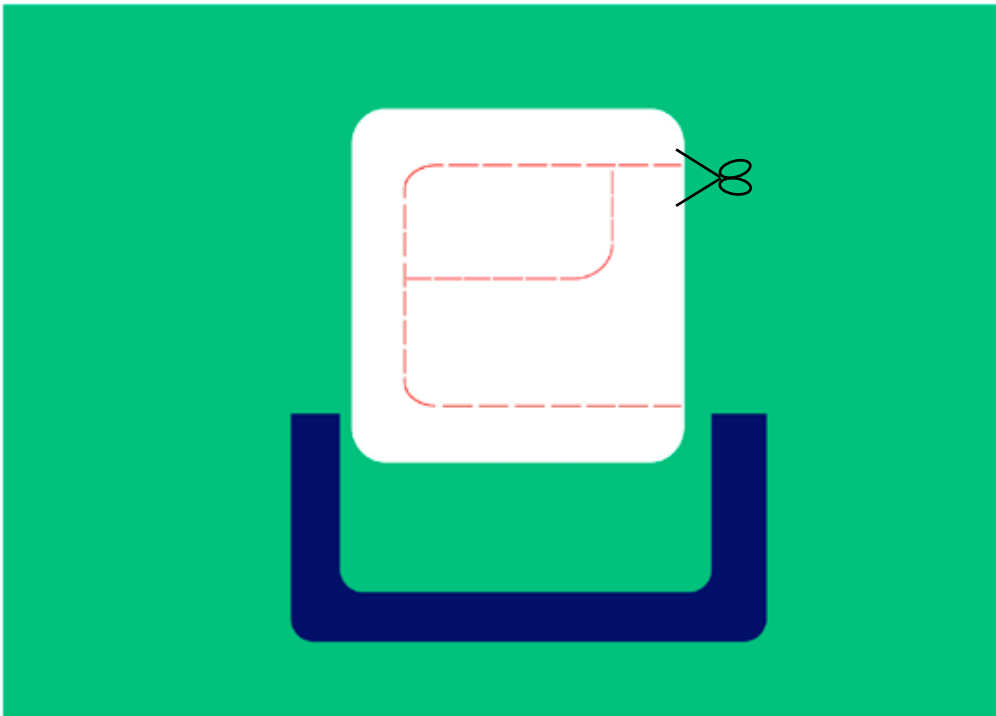
design and fill



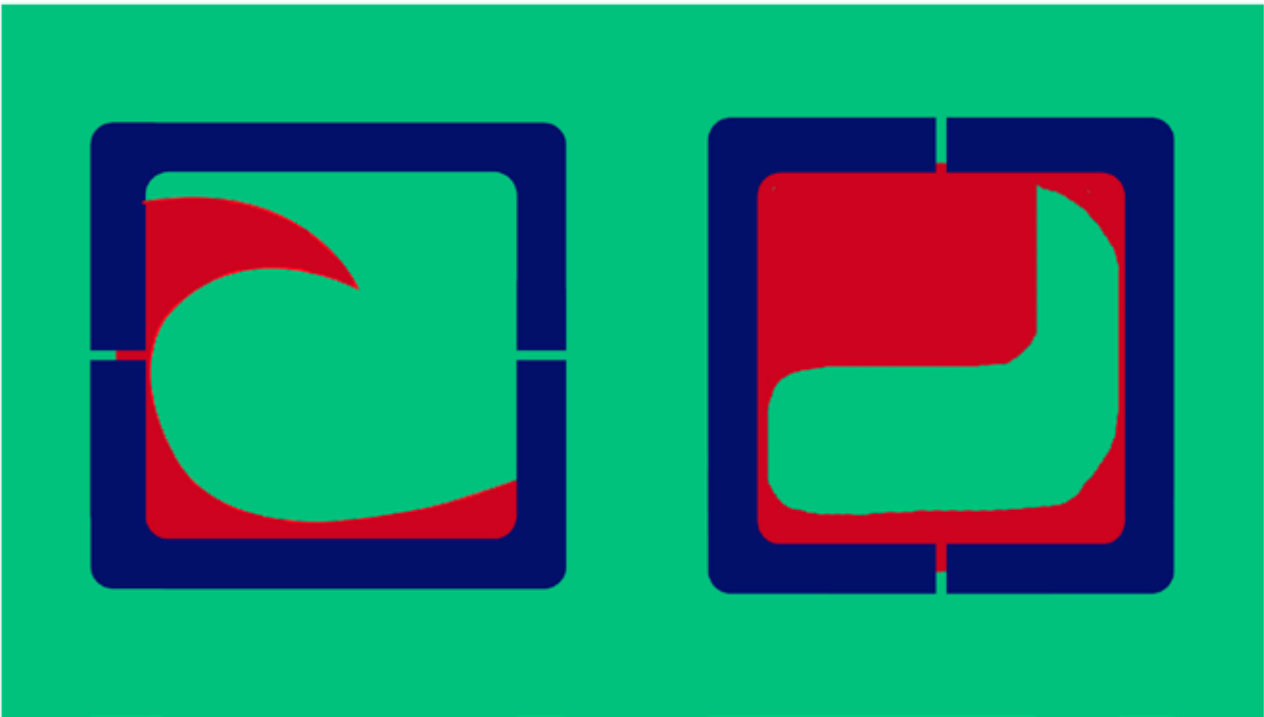
heat and spin



drop-box second color



open and cut



model



thank you

